

GRACE

CHAIR-MOUNTED DENTAL UNIT

X5





UNIQUE CONFIGURATION



EXCLUSIVE ATMOSPHERE

QL-X5 provides a glass material of cuspidor and thanks of its swiveling adjustment allows patients easy-positioned gargle by shifting itself towards them.



IDEAL SOLUTION



QL-x5 Delivery Unit provides you wide working surface space. The Pad can be removed for cleaning and autoclaving. The Delivery Unit comes with a friendly design Control Panel for your basic work. You can control automatically chair positioning, lights on/off and water pouring just pressing Memory Button.

SMART CONTROL

You can control air and water spray by your foot freely and relaxed. In addition it also allows chair positioning controllable with your foot.



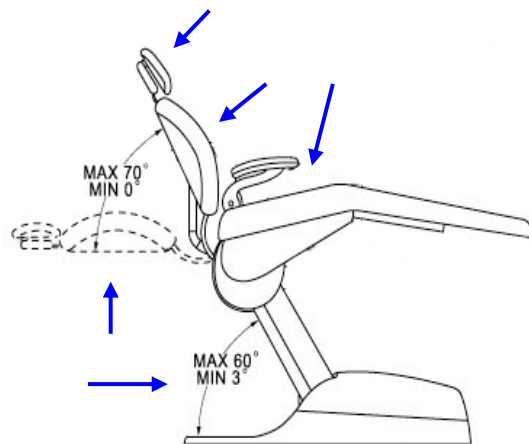
GREAT ASSISTANCE



QL-X5 provides your assistance his or her own Delivery Unit. It makes your practice high efficiently. And the patient feels comfortable during his or her treatment.

STATE-OF-THE-ART DESIGN

The Patient Chair is designed according to the comfort of the patient and practical work of you. The comfort does not only considering the mankind body curve, but also anti-skidding. It also uses high technology for smoothly movement, hydraulic elevation system.



AVAILABLE COLOR



Dental Chair

- Activation
 - Foot control
 - Control panel
- Movement
 - Ascension and descending using hydraulic elevation system
 - Movement programming
 - Automatic return to a memorized position
 - Interruption of the movements when activating any key on the control panel or by foot-pedal
- Ergonomic design
 - Suitable for mankind body curve
 - Anti-skidding curve design
 - Spacious
 - Provides air bag for dorsal comfort

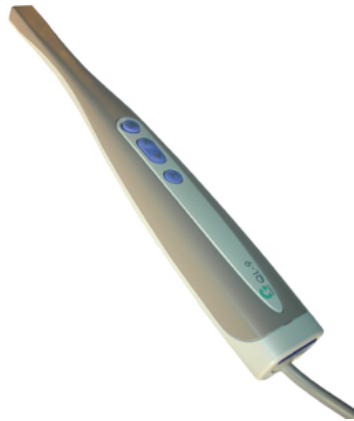


Delivery Unit

- Instruments holder
 - Capable for holding 5 to 6 instruments. Frontal and lateral holder
 - Rounded line doesn't scratch your hands
- Hoses
 - Rounded, lights and flexible
- Control Panel
 - The various operation of dental unit system is integrated into this practical control panel
- Delivery Unit Pad
 - Removable, washable and autoclavable
- Reservoir for oil recovery
- Horizontal steel arms
 - Horizontal arms is designed under the chair, in order to prevent patients stress

Assistance Delivery Unit

- Instruments holder
 - Capable for holding 3 to 4 instruments: 1 ejector, 1 high power suction, 1 3-way syringe, 1 LED curing light
- Control Panel
 - The various operation of dental unit system is integrated into this practical control panel
- Delivery Unit Pad
 - Removable, washable and autoclavable
- X-ray viewer



Multimedia System

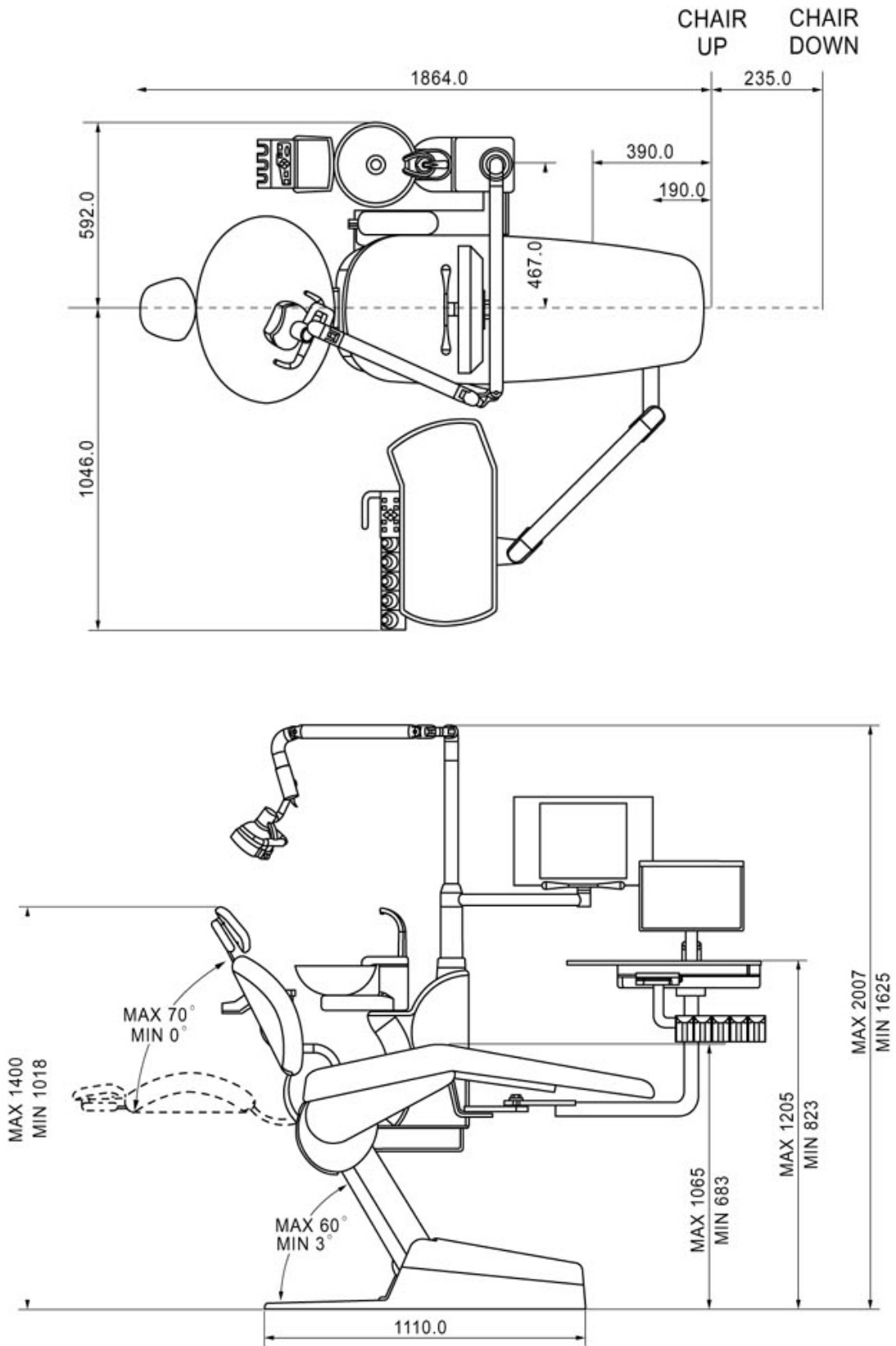
- Built-in Intra-Oral Camera TV system with SD memory card
- With high resolution and quality LCD Monitor



Dr. Stool

- Adjustable backrest: downward, upward, forward, backward
- Adjustable seat: downward and upward
- Adjustable stool arm: forward and backward

Dimensions



Specification

Item	Model
	QL-X5 (Multimedia)
Air turbine Handpiece Hose	2 sets
Air Motor Handpiece Hose	1 set
3-Way Syringe	2 pcs
X-Ray Film Viewer (Small)	1 pc
Air Suction (High Power Suction)	1 pc
Water Suction (Saliva Ejector)	1 pc
Intra-Oral Camera	1 pc
LCD Monitor	1 set
Dr. Stool	1 set
Foot-Controller	1 set
Operation Light	1 set
Dental Chair	1 set
Assistance Delivery Unit	1 set
Delivery Unit (Big)	1 set
Cuspidor	1 set
Holder (Rectangle)	1 set

Optional

Please contact us for detail optional accessories.

Package

Size: 178*127*148CM; Weight: 240 K

Technical Specification

Power Source	AC 220 V/ 110 V \pm 10%
Electric Current	Dynamic I _{max} : 1.55 a Static I _{max} : 0.07 a
Frequency	50 Hz / 60 Hz
Air Pressure	4.5 ~ 5.5 Pa
Water Pressure	2 ~ 4 Pa
Seat Maximum Loading	200 kg.f
Backrest Maximum Loading	100 kg.f